

产品特征

Product Features

- 恒流模式和恒压模式输出可选（客户定制选择）
Selectable constant current and constant voltage output.(Custom on request)
- 全隔离安全驱动
Full-isolation driver
- 多种调光方式.Triac/0/1-10V/DALI/PUSH/RF
A variety of dimming mode 0/1-10V/DALI/PUSH/RF
- 短路、过流和过压保护。
Short circuit, over current and over voltage protection.
- 采用灌胶及金属外壳，使散热更有效
Use glue and metal shell to make the heat dissipation more effective
- 符合世界照明安全规范标准
In line with the world lighting safety standards
- 5年质保
5 years quality warranty



电气规格

Electrical specifications



恒流模式 Constant Current

| 功率 Power | 输入电压 Input voltage | 输出电压 Output voltage | 输出电流 Output current | 尺寸 Size |
|-------------|----------------------------|------------------------|------------------------|----------------|
| 12W | 90-130V/AC& 180-240V/AC | 24-34V | 350mA | L170*L42*H35mm |
| | | 17-24V | 500mA | |
| | | 12-17V | 700mA | |
| 20W | 90-130V/AC& 180-240V/AC | 28-40V | 500mA | |
| | | 20-28V | 700mA | |
| | | 16-22V | 900mA | |
| 30W | 90-130V/AC& 180-240V/AC | 30-42V | 700mA | L210*W47*h35mm |
| | | 23-33V | 900mA | |
| | | 18-25V | 1200mA | |
| 40W | 90-130V/AC& 180-240V/AC | 40-57V | 700mA | |
| | | 32-45V | 900mA | |
| | | 23-33V | 1200mA | |
| | | 19-27V | 1500mA | |
| 60W | 90-130V/AC& 180-240V/AC | 46-66V | 900mA | L240*W50*h35mm |
| | | 35-50V | 1200mA | |
| | | 28-40V | 1500mA | |
| | | 23-33V | 1800mA | |
| 80W | 90-130V/AC& 180-240V/AC | 50-72V | 1100mA | L262*W66*h35mm |
| | | 37-53V | 1500mA | |
| | | 30-44V | 1800mA | |
| | | 25-36V | 2200mA | |
| 100W | 90-130V/AC& 180-240V/AC | 50-72V | 1300mA | |
| | | 38-55V | 1800mA | |
| | | 30-43V | 2300mA | |
| | | 25-35V | 2800mA | |

恒压模式
Constant Voltage

| 产品型号 Model | 输入电压 Input voltage | 输出电压 Output voltage | 输出电流 Output current | 净重 Net weight | 尺寸 Size |
|---------------|----------------------------|------------------------|------------------------|------------------|----------------|
| 12W | 90-130V/AC& 180-240V/AC | 12V | 1000mA | 437g | L170*W42*h35mm |
| | | 24V | 600mA | | |
| 20W | 90-130V/AC& 180-240V/AC | 12V | 1600mA | 437g | L170*W42*h35mm |
| | | 24V | 850mA | | |
| 30W | 90-130V/AC& 180-240V/AC | 12V | 2500mA | 603g | L210*W47*h35mm |
| | | 24V | 1300mA | | |
| 40W | 90-130V/AC& 180-240V/AC | 12V | 3300mA | 603g | L210*W47*h35mm |
| | | 24V | 1700mA | | |
| 60W | 90-130V/AC& 180-240V/AC | 12V | 5000mA | 776g | L240*W50*h35mm |
| | | 24V | 2500mA | | |
| 80W | 90-130V/AC& 180-240V/AC | 12V | 6000mA | 1121g | L262*W66*h35mm |
| | | 24V | 3300mA | | |
| 100W | 90-130V/AC& 180-240V/AC | 12V | 8000mA | 1121g | L262*W66*h35mm |
| | | 24V | 4200mA | | |

保护
protect

 短路保护
 Short circuit protection

 间歇重启模式，异常排除后可自动恢复
 Intermittent restart mode, after the exception can be automatically restored

 过流保护
 Overcurrent protection

 打嗝模式，过流异常排除后可自动恢复
 Hiccup mode, after the removal of abnormal flow can be automatically restored

 过压保护
 Overvoltage protection

 打嗝模式，过压异常排除后可自动恢复
 Hiccup mode, after the exception of abnormal pressure can be automatically restored

环境
Environment

 工作温度、湿度
 Operating Temperature/humidity -30-45°C,5-95%RH

 储存温度、湿度
 Storage Temperature/humidity -40-70°C,5-95%RH

 温度系数
 Temperature coefficient ±0.03%/°C(0-50°C)

 耐振动
 Vibration 5-55Hz/2g,30 Minutes

安规和EMC
Safety

 安全规范
 Safety EN60598

 耐压
 Pressure I/P-O/P:3KVAC IP-FG:1.88KVAC O/P-FG:0.5KVAC

 绝缘阻抗
 Insulation resistance I/P-O/P I/P-FG O/P-FG:100MΩ/500VDC/25°C/70%RH

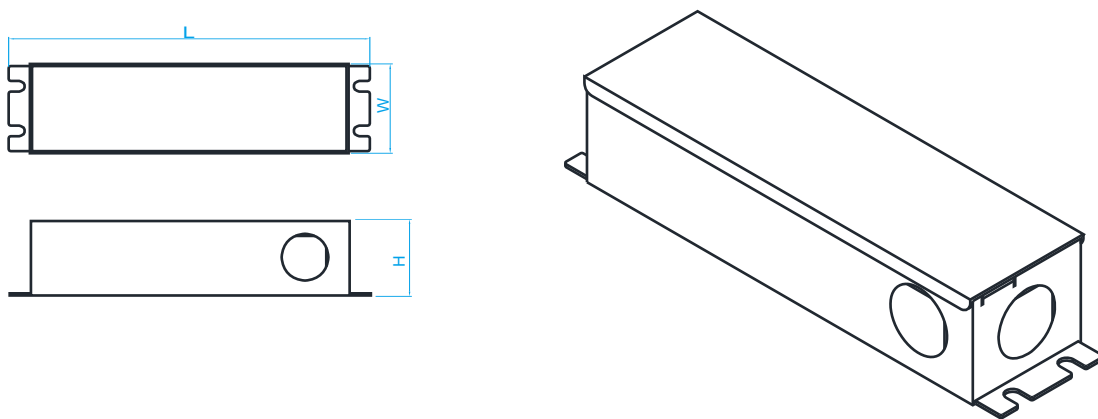
 电磁兼容发射
 EMC Emission EN55022,EN55015 Class B

 电磁兼容抗扰性
 EMC Immunity EN61547,ENV5024,EN61000-4-2/3/4/6/8/11

外壳结构

Shell structure

单位：毫米
Units:mm



调光接线图

Dimmer wiring diagram

